



SINGLE OUTPUT MONITORED MODULE

ADDRESSABLE

TYPE **FD 7203OC**

INSTRUCTION MANUAL 02-7203OC



GENERAL DESCRIPTION

The single output monitored module is designed to control external devices for the fire alarm system IFS 7000 by means of potential output "Open collector" in case of detecting fire conditions.

The single output monitored module (**fig.1**) consists of a printed circuit board (pos.2) and an unit carrier (pos.4), fixed in a plastic box with bottom (pos.1) and a cover (pos.3). The terminals for connecting the signal loop **SL** (pos.1), the power loop **PL** (pos.3), and the external devices **OUT** (pos.2) are located on the printed circuit board (**fig 2**).

The communication between the Fire Control Panel and the single output monitored module is completed via the signal loop by the specialized data exchange protocol UniTALK. The single output monitored module is power supplied by the power loop. Two built-in isolators are provided for short circuit protection – one on the signal loop and one on the power loop.

Both LED indicators (fig. 1, pos.6) provide information for the current status:

- **Duty mode** - red and yellow LEDs flash briefly every 16s;

- **Activated output** - the red LED produces continuous light, the yellow LED is not lit;

- **Fault condition (activated isolator on the signal loop)** - the yellow LED flashes briefly every 1s, the red LED is not lit;

- **Fault condition (activated isolator on the power loop)** - the yellow LED flashes briefly every 2s, the red LED is not lit.

TECHNICAL DATA

Supply voltage:

- signal loop (15-30)V DC
- power loop (12-30)V DC

Current consumption in Duty mode:

- signal loop 300 μ A
- power loop 2 mA

Current consumption in Activated output:

- signal loop 3 mA
- power loop up to 200 mA

Output:

- type 1 pc. potential, "Open collector"
- voltage (11-30)V DC
- maximum current 200 mA

Cross section of connecting wires

(0,8-2,5) mm²

Type of the connecting cables:

- of the signal loop two-wire, shielded
- of the power loop two-wire
- of the external devices two-wire

Degree of protection

IP 50

Operational temperature range

minus 10°C - plus 55°C

Relative humidity resistance

(93 \pm 3)% at 40°C

Dimensions

120x164x74 mm

Weight

0,250 kg

INSTALLATION

Install it according to **fig.1** in the following sequence:

1. Dismantle the single output monitored module by unscrewing screws pos.7 and pos.5.
2. Installation holes and connecting wires holes are drilled on the designated places on the bottom.
3. Fix the bottom on the desired place by means of pins and screws. The connecting wires are threaded in advance in the box.
4. Install the unit carrier to the bottom by using screws pos.5.
5. The electrical connection is done according to **fig.2**. Connect the wires of the signal loop to the terminals pos.1, of the power loop - to pos.3 and the external devices - to pos.2. Connect the negative leads to "-", the positive - to "+", and the shields - to "E". It is not necessary to take into consideration the conditional beginnings and ends of the loops. It is recommended cable shoes to be used.
6. Place the cover to the bottom by using screws pos.7.

TESTING

The single output monitored module is tested after installation as a part of the site's fire alarm system or with maintenance activities.

The output of the module is tested by the Fire Control Panel. It should be activated and the respective indication to be on. When the menu is quitted, the single output monitored module should be enter Duty mode.

SERVICE SCHEDULE

It is done by authorized personnel and includes the following activities:

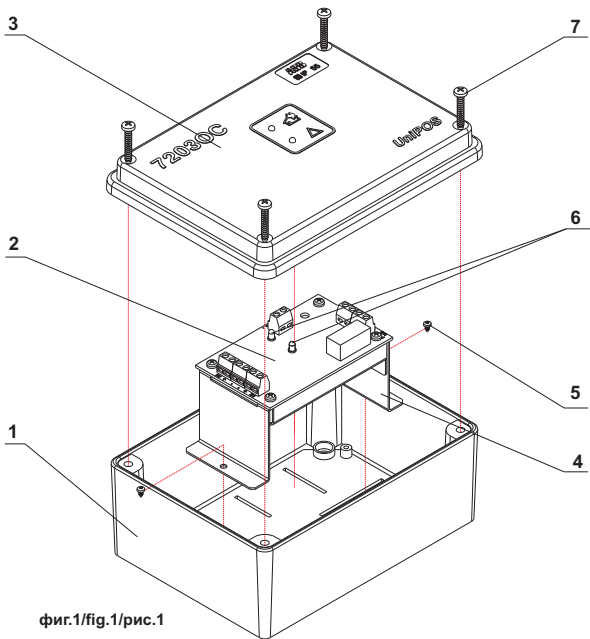
1. Inspection for visible physical damage - monthly
2. Testing in real conditions - monthly

WARRANTY

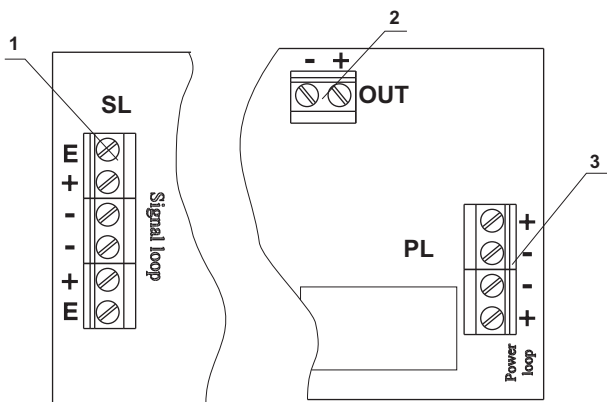
The warrant period is 36 months from the date of sale.

The manufacturer guarantees the normal operation of the unit providing that the requirements set herein have been observed.

The manufacturer does not bear warranty liabilities for damages caused through accidental mechanical damage, misuse, adaptation or modification after production. The manufacturer bears warranty liabilities for damages in the unit caused through manufacturer's fault only.



фиг.1/fig.1/рис.1



фиг.2/fig.2/рис.2