

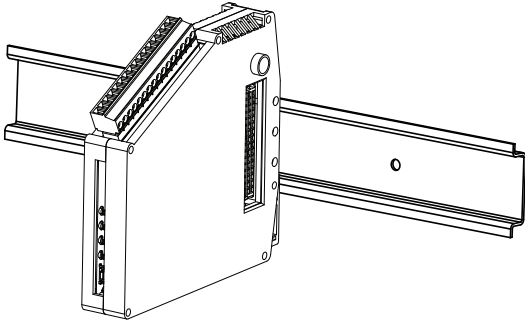
Part of Consilium Safety

General description

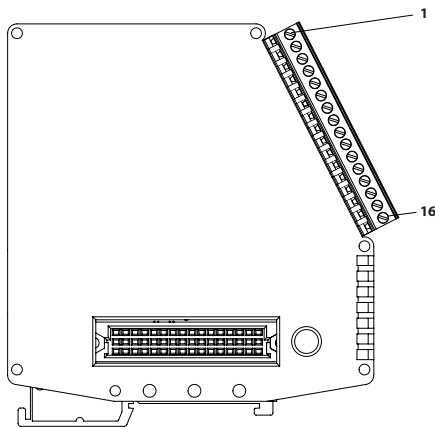
Module BIO has 7 Devices

DIN rail support up to 5 pcs. Please see the User Manual 7000M. for more information.

Installing module on DIN rail

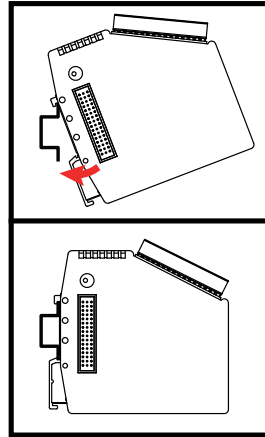


After mounting on the DIN rail, slide carefully and connect with the front one module

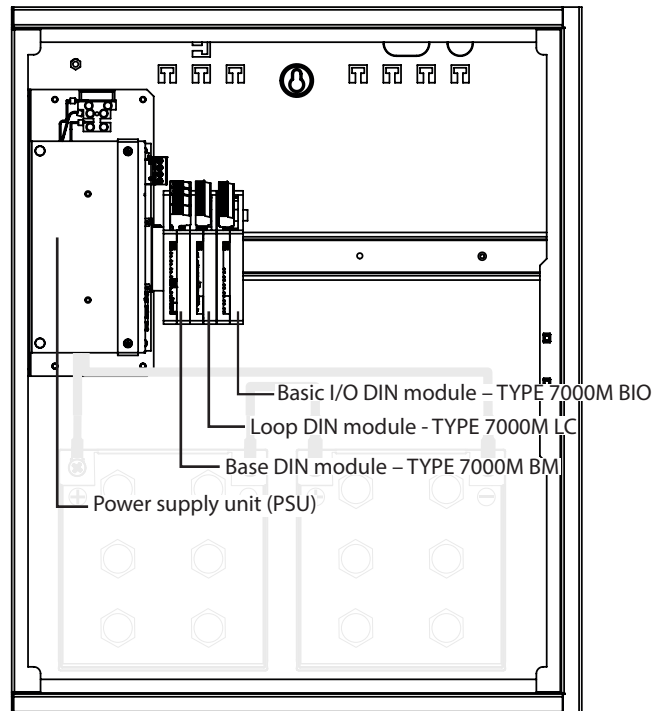
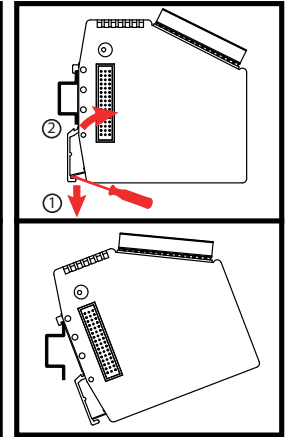


Module BIO

Installation



Dismantling



Module BIO	1	2	3	4	5	6	7	8	9	10	11	12	13	14	15	16
	Relay Output 1 - Normal Open	Relay Output 1 - COM	Relay Output 2 - Normal Close	Relay Output 2 - Normal Open	Relay Output 2 - COM	Relay Output 2 - Normal Close	Monitored Output 1	Monitored Output 1	Monitored Output 2	Monitored Output 2	Monitored Input 1	Monitored Input 1 *GND*	Monitored Input 2	Monitored Input 2 *GND*	User Output	User Output *GND*

Technical data

Monitored output :

Number of outputs per module 2pcs
 Type potential
 Electrical characteristics (27,6 +1/-8) VDC/0,7A
 End Of Line (EOL) 1,5kΩ resistor

*EOL shall be connected to the end of the cable connected to pins 7 – 8 and 9–10 for proper work of the monitored output

Relay outputs:

Type potential free, switching
 Electrical characteristics 0,5A/125VAC; 1A/30VDC

Monitored inputs:

Number of inputs per module 2pcs
 Type monitored
 EOL 3,3kΩ resistor

*EOL shall be connected to the end of the cable connected to pins 11–12 and 13–14 for proper work of the monitored input

User output

number of outputs per module 1pc
 Type potential
 Electrical characteristics (27,6 +1/-8) VDC/0,7A
 Total module outputs consumption please see p.2.5 User Manual 7000M