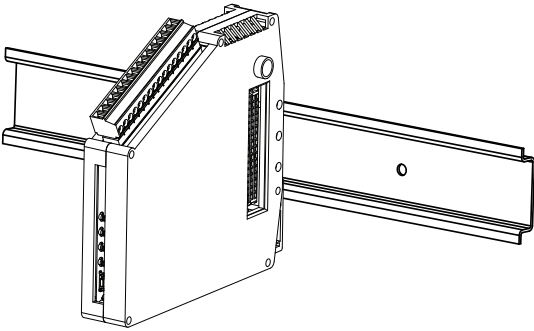


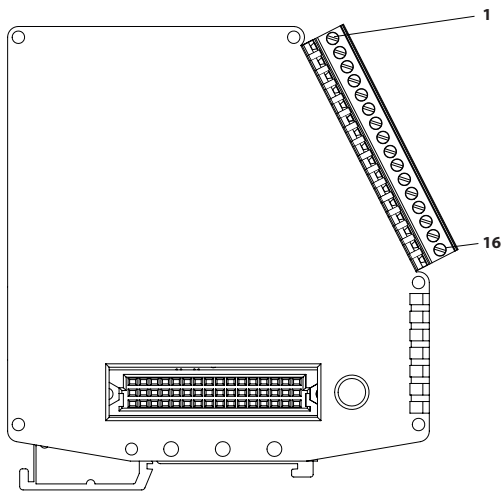
General description

Module Loop Controller contains two loops. Each loop can support up to 210 adresable devices M series. Please see the User Manual 7000M for more information.

Installing module on DIN rail

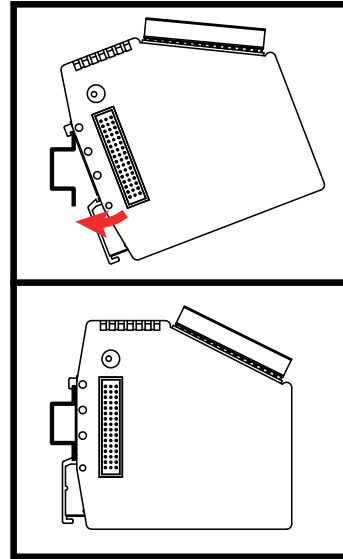


After mounting on the DIN rail, slide carefully and connect with the front one module

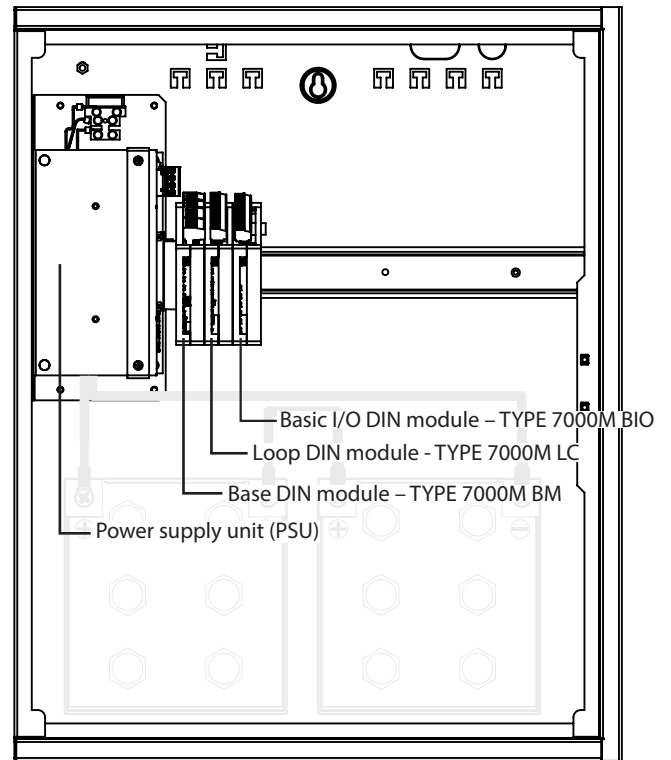
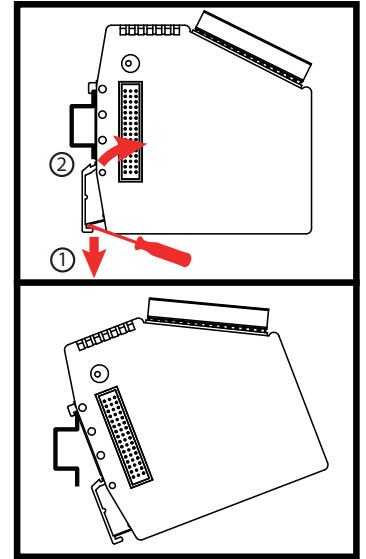


Module Loop Controller

Installation



Dismantling



Module Loop Controller	1	2	3	4	5	6	7	8	9	10	11	12	13	14	15	16
	Loop 1 ⁺ start	Earth	Loop 1 ⁻ start	Loop 1 ⁺ end	Earth	Loop 1 ⁻ end	Loop 2 ⁺ start	Earth	Loop 2 ⁻ start	Loop 2 ⁺ end	Earth	Loop 2 ⁻ end	NOT USED	NOT USED	Earth	Earth

Technical data

Connecting type
Connecting line to loop

Loops per module
Modules per panel

Maximum resistance of a loop (incl. all contacts and build-in isolators)
Maximum Consumption from one loop
Power supply (ensured by PSU module)
Total module outputs consumption

DIN rail
two-wire shielded fire rated cable (recommended 0,75 – 1.5mm²).
Use cable calculator.

2
5
28Ω (- wire) / (210 devices, 1.5mm², 2 100 m distance) 60Ω (+ wire)
300mA/24VDC
(27,6 +1/-8) VDC
please see p.2.5 User Manual 7000M