

## Relay Unit Modules RU4 and RU8

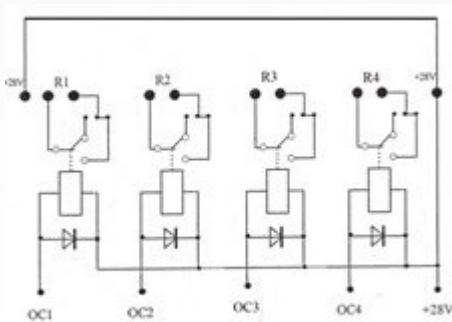


The RU4 and RU8 are relay unit modules with 4 and 8 pieces relay outputs (in one corpus/box) with normally open or normally close contacts 8A / 250V.

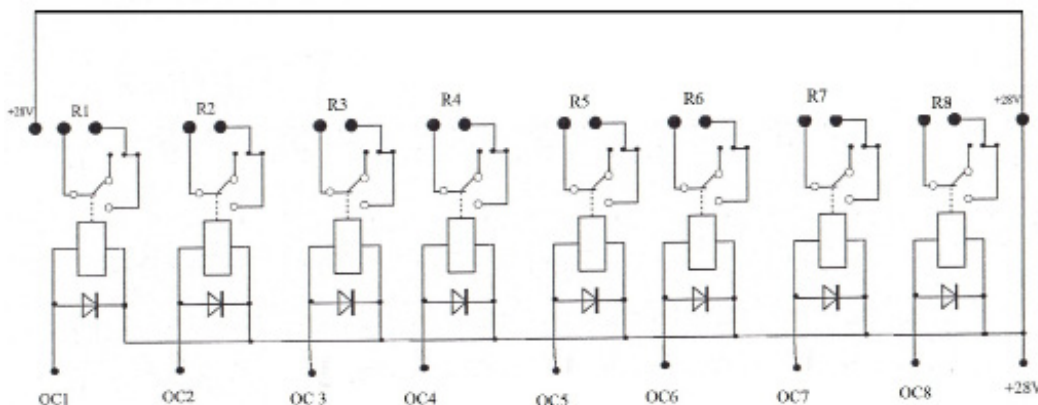
### Technical data

The contact can be changed by the jumpers on the PCB (near to the cable terminal).

OC1 – OC4 or OC1 – OC8 respectively can be connected to the open collectors (OC) of the panel or "GND" thru relay output of the panel.



RU4 scheme



RU8 scheme



Office building UniPOS,  
1 Efr. Nikola Paskalev Str., Mladost 1, Sofia 1748, Bulgaria  
Phone: +359 2 97 439 25, +359 2 97 444 69

47 San Stefano Str., Pleven 5800, Bulgaria  
Phone: +359 64 891 100

[www.unipos-bg.com](http://www.unipos-bg.com)